



MAVIN
TECHNOLOGIES

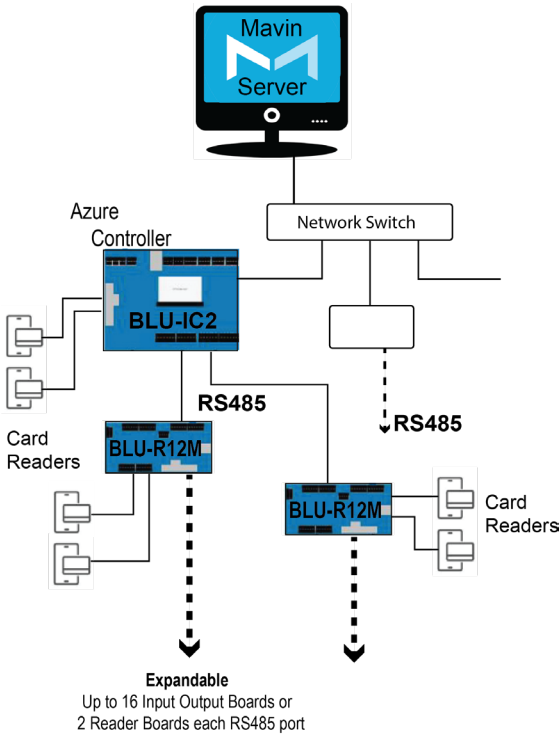
AND



AZURE

Access Technology™

Mavin Technologies has partnered with Azure Access Technology to bring you the greatest security available in the industry...



BLU-IC2

The Azure Board is a lead Controller board that offers high Security communication and flexibility. The Azure Controller has encrypted communication to the Mavin head end processor and to all of the downstream panels. The board also offers Ethernet communication and Serial RS-485 communication to the downstream boards. With 2 Reader ports, 2 RS-485 communication ports and 1 Ethernet Port, each controller is also equipped with 8 supervised Inputs and 4 Relay Outputs. The board offers OSDP communication to up to 16 readers off of the RS-485 communication ports.

BLU-R12M

The next generation, downstream reader-interface board is a low profile device that can be installed, near or at the door. It features 2-door control with two combo TTL/OSDP reader ports, with supporting supervised inputs, and relay outputs.

BLU-IO168

The Azure Input output board has fully encrypted communication both upstream and downstream to other downstream boards and offers flexible communication to other boards Serial RS-485 and Ethernet. The board comes equipped with 16 Supervised input points and 8 Output relays.

BLU-I16N

The Azure Input output board has fully encrypted communication both upstream and downstream to other downstream boards and offers flexible communication to other boards Serial RS-485 and Ethernet. The board comes equipped with 16 Supervised input points.

BLU-O8N

The Azure Input output board has fully encrypted communication both upstream and downstream to other downstream boards and offers flexible communication to other boards Serial RS-485 and Ethernet. The board comes equipped with 8 Output relays.

BLU-IO21

The Azure Input output board has fully encrypted communication both upstream and downstream to other downstream boards and offers flexible communication to other boards Serial RS-485 and Ethernet. The board comes equipped with 2 Supervised input points and 1 Output relay.

SECURITY

Security Socket Larger

Open SSL

TLSv1.2 AES256-SHA256 with TLS Server/
Peer certificate checking

OSDP

FIPS 201-2

SSCPv2; Meets ANSSI encryption
requirements

Firmware upgrades are signed and
encrypted

CAC

TWIC

SECURITY DESIGNED WITH YOU IN MIND



SECURITY

Security Socket Larger

Open SSL

TLSv1.2 AES256-SHA256 with TLS Server/
Peer certificate checking

OSDP

FIPS 201-2

SSCPv2; Meets ANSSI encryption
requirements

Firmware upgrades are signed and
encrypted

CAC

TWIC

A **network socket** is a software structure within a network node of a computer network that serves as an endpoint for sending and receiving data across the network. The structure and properties of a socket are defined by an application programming interface (API) for the networking architecture.

OpenSSL is a software library for applications that provide secure communications over computer networks against eavesdropping or need to identify the party at the other end. It is widely used by Internet servers, including the majority of HTTPS websites.

Currently **TLSv1. 2** is the newest SSL protocol version supported by OpenSSH on z/VSE. It introduces new SSL/TLS cipher suites that use the SHA-256 hash algorithm instead of the SHA-1 function, which adds significant strength to the data integrity. z/VSE needs TLSv1.

Open Supervised Device Protocol (OSDP) is an access control communications standard developed by the Security Industry Association (SIA) to improve interoperability among access control and security products.

FIPS 201-2 (Federal Information Processing Standard Publication 201-2) is a US federal government standard that specifies Personal Identity Verification (PIV) requirements for federal employees and contractors.

The **CAC**, a “smart” card about the size of a credit card, is the standard identification for active duty uniformed Service personnel, Selected Reserve, DoD civilian employees, and eligible contractor personnel.

The Transportation Worker Identification Credential, also known as **TWIC**[®], is required by the Maritime Transportation Security Act for workers who need access to secure areas of the nation’s maritime facilities and vessels.



12 Aqueduct Street, 3rd floor
Rochester, New York 14614
866 680.8346
info@go-mavin.com

go-mavin.com